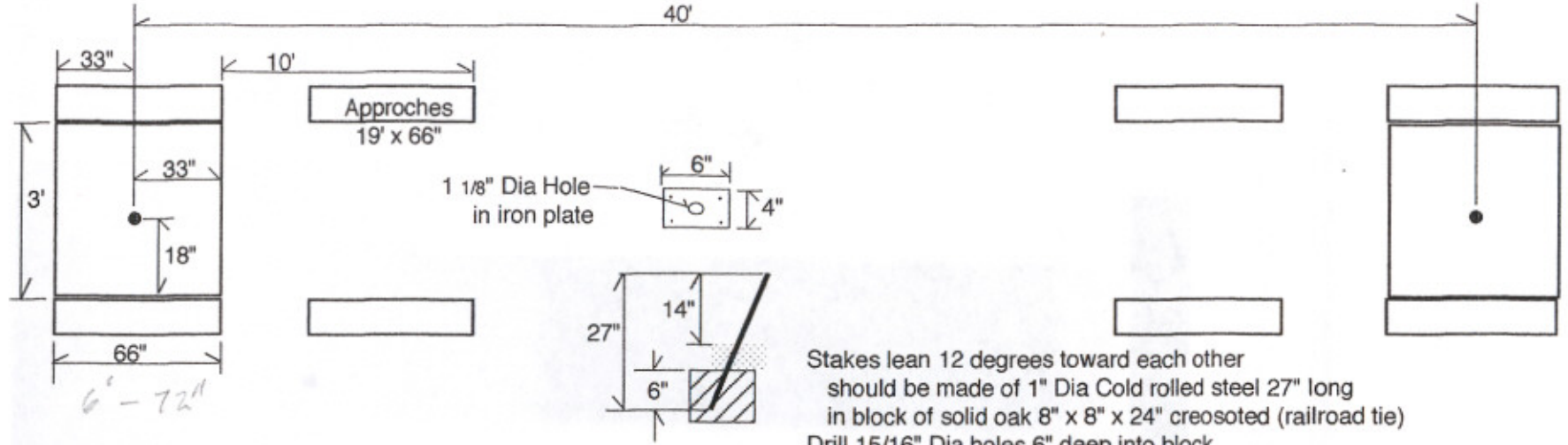


Horseshoe Court Layout



Stakes lean 12 degrees toward each other
 should be made of 1" Dia Cold rolled steel 27" long
 in block of solid oak 8" x 8" x 24" creosoted (railroad tie)
 Drill 15/16" Dia holes 6" deep into block
 drive stake into block
 slip iron plate over stake & attach with 4 lag screws

Identical Court 8' over

